



High-Pressure Probe Mount TM0393X

Accessories Selection Guide

Model Number	Description	Approval
TM0393X	Hi-Pressure Probe Mount	•
TM0540	Static Calibrator	
TM0901	Hi-Pressure Cable Feed Through	
TM0902	Low-Pressure Cable Seal	
TM0903-A01	Junction Box 1	•
TM0903-A02	Junction Box 2	•
TM0904	Flexible Conduit	•
TM0906	Mounting Bracket	



Probe Mount TM0393X

The high-pressure probe mount, TM0393X, works with Pro vibtech's TM0180 and TM0110 reverse mount probes. The housing mounts on the machine surface for easy installation. The housing is made of aluminum (copper free) and stainless steel which sustain harsh environments. The high-pressure probe mount, TM0393X, can be used for up to 2175psi (15Mpa)

Order Information

TM0393X-AAA-BBB-C-D

AAA: Probe penetration depth

The depth starts from 25 mm (1.0 in)

AAA+BBB < 700 mm (27.6 in)

Order in increments of 5mm

For example: AAA=075 = 75mm

BBB: Stand off adaptor

BBB=000: No stand off adaptor required

Starting from 40mm (1.57 in) to 200mm (7.87in)

Order in increments of 10mm (0.39in)

For example: BBB=015=150mm

C: Probe thread

C=0: M10x1

C=1: 3/8-24"

D: Pressure Option

D=0: Not required

D=1: High-pressure probe mount

*One 3/4" NPT Stainless plug is included as default

*Flexible installation as penetration length is adjustable +/- 13mm (0.5 in)

Accessories

PT500-19

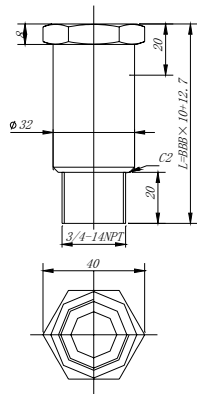
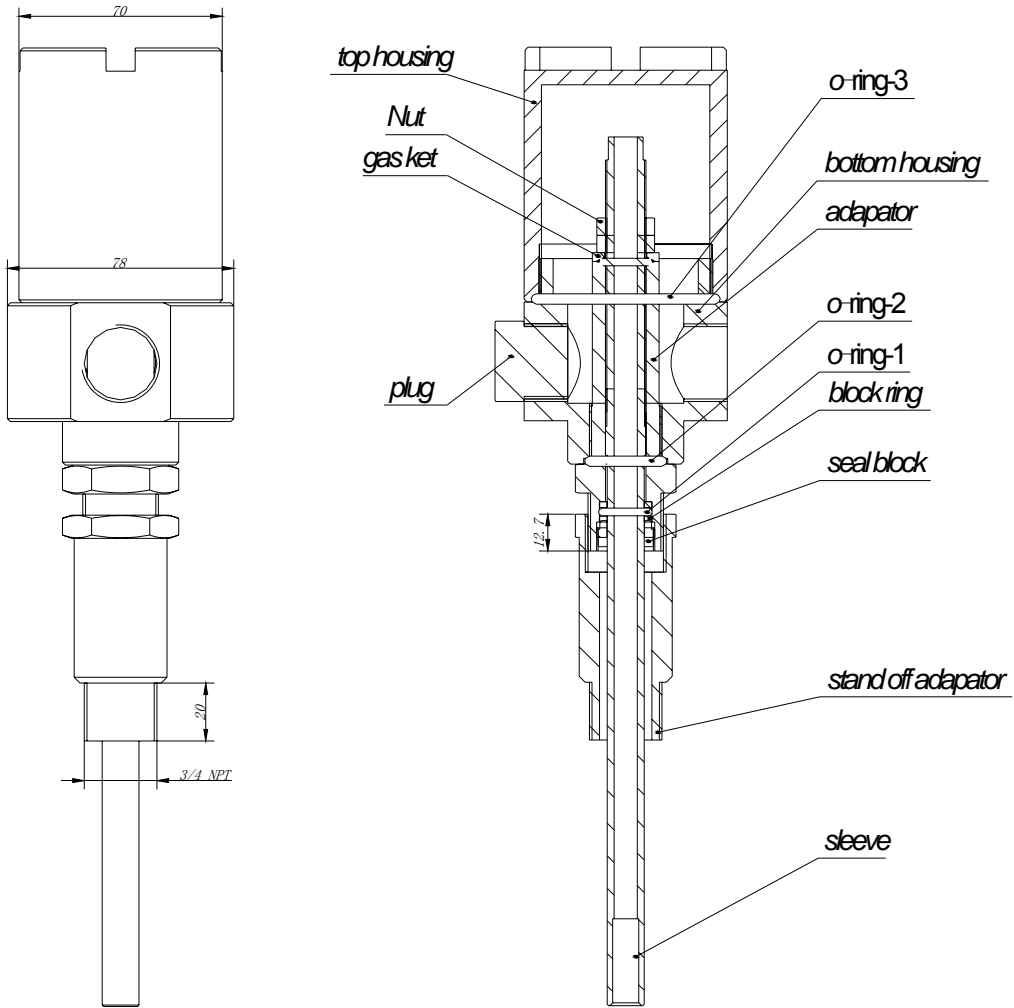
Cable seal grip



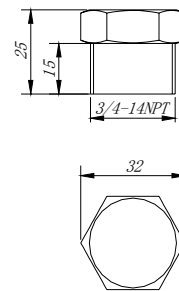


High-Pressure Probe Mount TM0393X

Mechanical Outline Drawings



Stand off adaptor

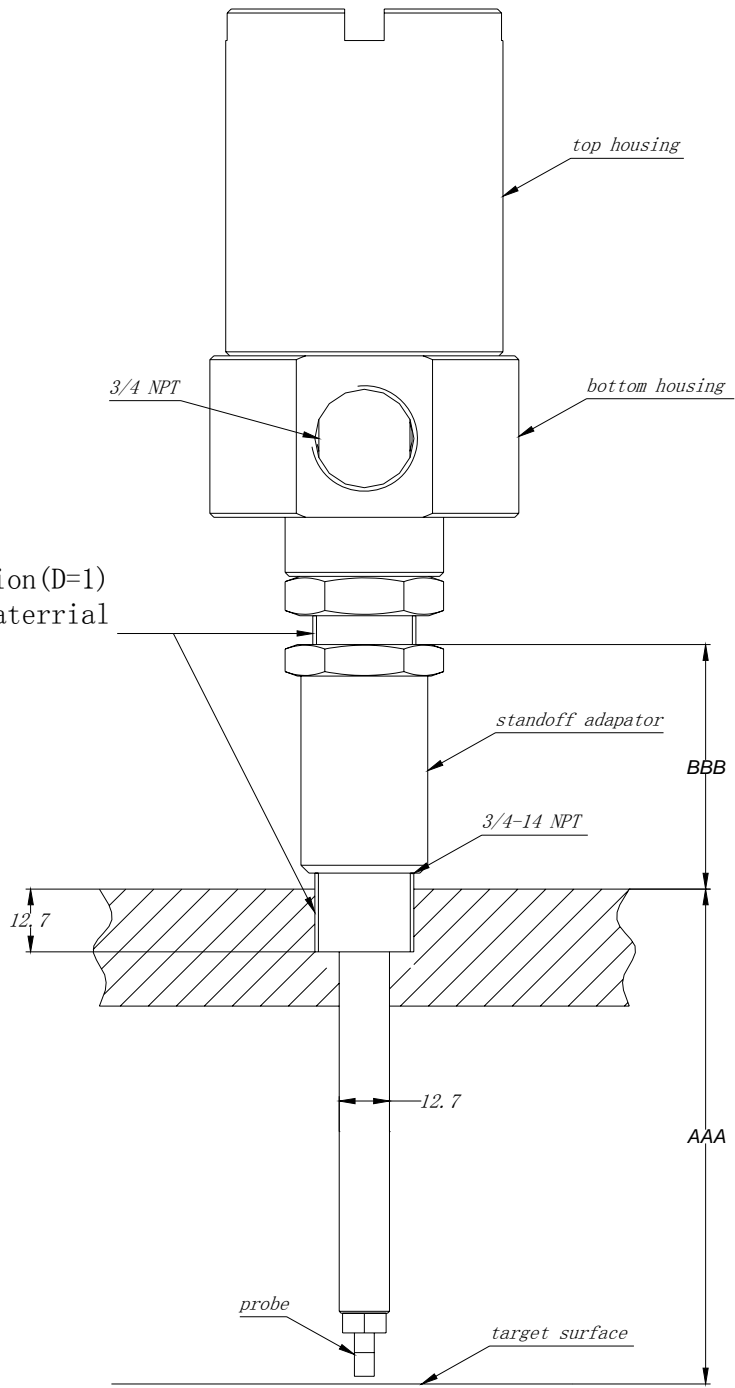


plug



High-Pressure Probe Mount TM0393X

Note:
For high pressure option (D=1)
Do mount with crude material
cingulum or glue.





High-Pressure Extension Cables Feed Through TM0191

The high-pressure extension cable feed through can be used in pressurized machine areas. The hi-pressure extension cable feed through is sealed for up to 150 psi (1.0 Mpa).

There are three versions of the high-pressure feed through (single, dual and triple cables) which allows for a maximum of three cables to pass through the machine case. The high-pressure end is supplied with female connectors and the low-pressure end with male connectors.

Specifications

Seal pressure:	maximum 150 psi (1.0 Mpa)
Operation temperature:	-40°C to +177°C
Thread on both ends:	3/4" NPT
Gas sealed:	Air, nitrogen, and propane

Order Information

TM0191-AXX-BXX-CXX

AXX: Type and Armor

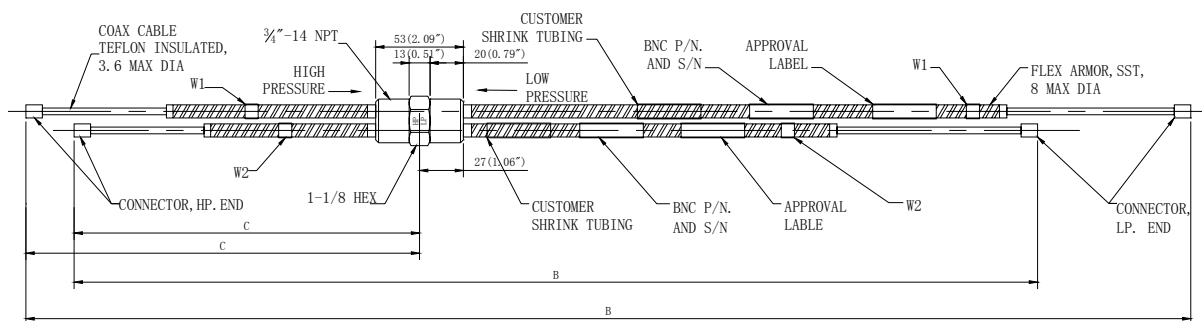
- A01: Single cable without armor
- A02: Single cable with armor at low-pressure end
- A03: Single cable with armor at high-pressure end
- A04: Single cable with armor at both ends
- A05: Dual cable without armor
- A06: Dual cable with armor at low-pressure end
- A07: Dual cable with armor at high-pressure end
- A08: Dual cable with armor at both ends
- A09: Triple cable without armor
- A10: Triple cable with armor at low-pressure end
- A11: Triple cable with armor at high-pressure end
- A12: Triple cable with armor at both end

BXX: Total Length

- B40: 4.0 meters
- B45: 4.5 meters
- B80: 8.0 meters
- B85: 8.5 meters

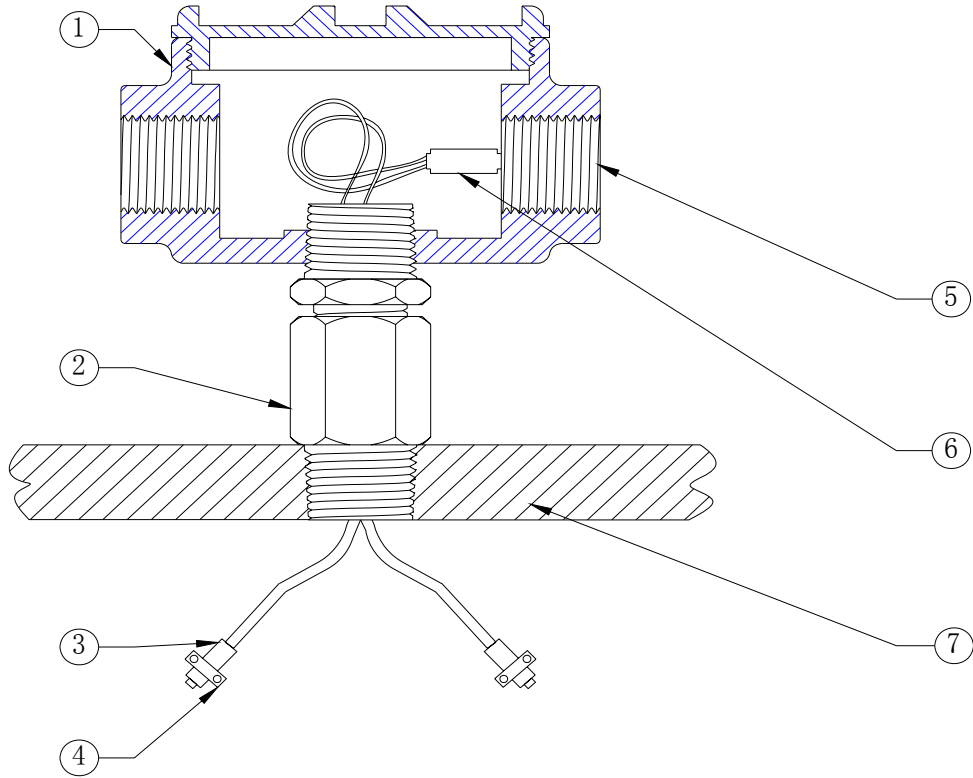
CXX: High-Pressure Length

- Order in increments of 0.1 meter
- Minimum length = 0.5 meter
- Maximum length = 8.0 meters





TM090X Probe Mounting Accessories Kit



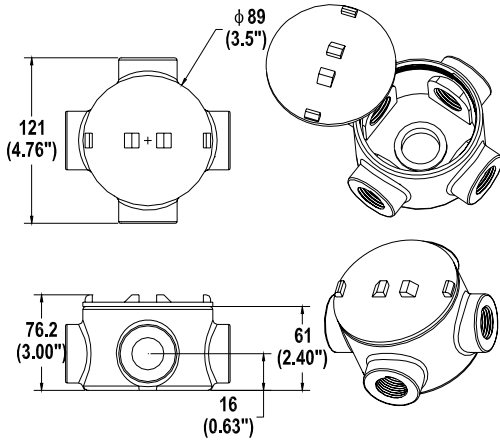
- 1. TM0903: Junction Box
- 2. TM0902: Low-Pressure Cable Seal
- 3. Probe
- 4. TM0906: Probe Bracket
- 5. TM0904 Flexible Conduit/ PT500-19 Cable Seal/ PT500-18 Seal
- 6. TM0920-BOOT: Connector Protector
- 7. Machine Case



High-Pressure Probe Mount TM0393X

Order Information

TM0903-A01-BX-CX



Junction box 1 with blank cover

Fitting Size: 3/4-14 NPT, 5 holes
Class I, Div.1 & 2, Groups C & D
Class II, Div.1 & 2, Groups E, F & G
Class III

BX: PT500-18. 3/4"NPT Plug

X = Number of plugs

CX: PT500-19. Cable Seal

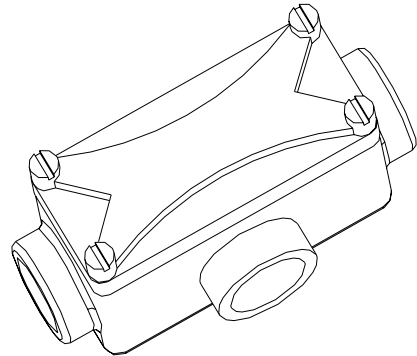
X = Number of cable seals

PT500-18

3/4" NPT Plug



TM0903-A02-BX-CX



Junction box 2

Class I, Div.1 & 2, Groups C & D
Class II, Div.1 & 2, Groups E, F & G
Class III

Conduit size: 3/4-14 NPT, 3 holes

Depth: 28 mm (1.1")

Width: 38 mm (1.5")

Length: 95 mm (3.75")

BX: PT500-18. 3/4"NPT Plug

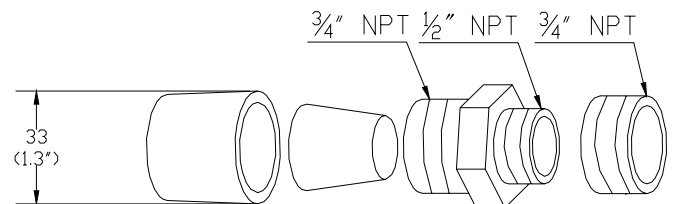
X = Number of plugs

CX: PT500-19. Cable Seal

X = Number of cable seals

PT500-19

Cable Seal





High-Pressure Probe Mount TM0393X

Order Information Continued

TM0904-AXX-BXX

Flexible Conduit
Class I, Div.1 & 2, Groups A, B, C & D
Class II, Div.1 & 2, Groups E, F & G
Class III



AXX: Fitting size

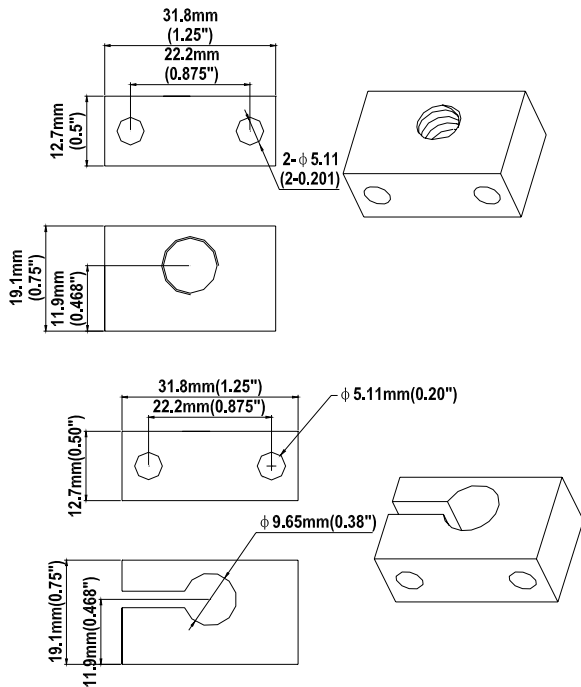
- A01: 1/2"-14 NPT assembly
- A02: 3/4"-14 NPT assembly

BXX: Length

- BXX: XX inch
(XX = 4, 6, 8, 10, 12, 15, 18, 21, 24, 30, 36)

TM0906-AXX-BXX

Aluminum probe mounting bracket



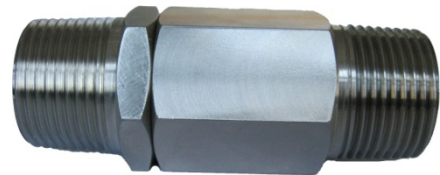
TM0906-AXX

AXX: Probe thread size

- A01: 3/8-24 UNF
(with two 10-24 UNC mounting screws)
- A02: 1/4-28" UNF
(with two 10-24 UNC mounting screws)
- A03: M8×1
(with two M5 mounting screws)
- A04: M10×1
(with two M5 mounting screws)
- A05: Clamp for M10 or 3/8-24
(with two M5 mounting screws)
- A06: Clamp for M10 or 1/4-28
(with two 10-24 UNC mounting screws)

TM0902-AXX

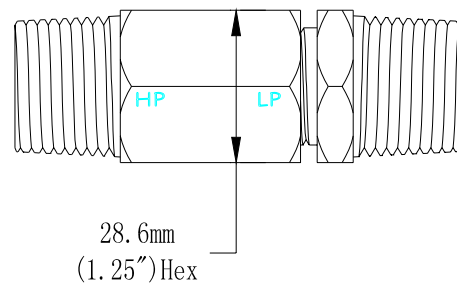
Low-pressure Cable Seal



AXX: Thread size on both ends

- A01: 1/2"-14 NPT
- A02: 3/4"-14 NPT

The same thread size must be used on both ends. The grommet will hold up to four cables. One hole is punched and the other three are partially pre-drilled.





Standard Static Calibrator TM0540

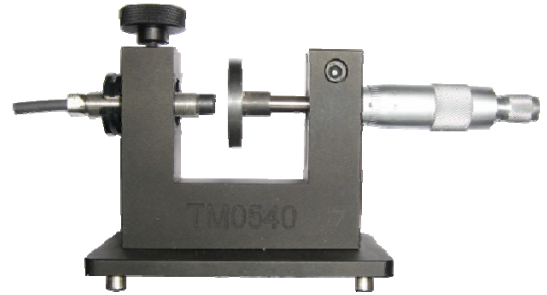
The TM0540 is specifically designed for proximity probe static calibration for 5mm, 8mm, and 11mm proximity probe systems. The TM0540 is equipped with a special magnetic holder which mounts to the machine case and allows for quick and easy calibration of the proximity probe system. It also includes 10 proximity probe mounting adapters.

Specifications

Display:	English or metric
Resolution:	TM0540-K-M: 0.01 mm TM0540-K-E: 0.001 in
Accuracy:	TM0540-K-M: 0.003 mm TM0540-K-E: 0.0001 in
Range:	TM0540-K-M: 0 - 25 mm TM0540-K-E: 0 - 1.0 in
Target Material:	AISI 4140 Steel

Physical

Size:	400mm x 200mm x 250mm
Weight:	About 2.0kg
Probe Mounting Adaptors:	M5, 1/4", M8, M10, 3/8", M11, 1/2", M14, 5/8", M16
Calibrator Mounting:	Magnetic holder on the four stands



Environmental

Operation Temperature:	0°C to 60°C
Humidity:	95%, non-condensing

Order Information

TM0540-K-E

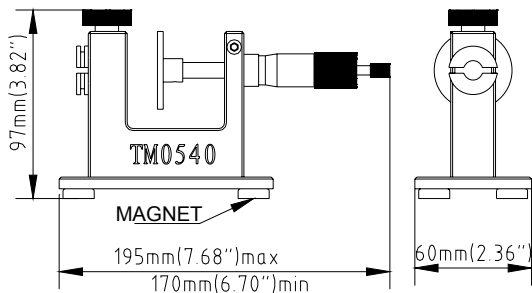
Portable static calibrator with English unit includes:

- ✓ TM0540 calibrator
- ✓ 8mm/5mm/11mm accessories
- ✓ Case

TM0540-K-M

Portable static calibrator with metric unit includes:

- ✓ TM0540 Calibrator
- ✓ 8mm/5mm/11mm accessories
- ✓ Case





Connector Protector Kit TM0920

The TM0920 supplies 10 sets of proximity probe connector boots. The connector boots protect the connection between the proximity probes and extension cables from oil and dirt penetration (which is a leading cause of inaccurate proximity probe readings) as well as preventing ground loops by isolating the probe from the machine case. The TM0920 connector protection kit provides customers with an easy way of mounting connector protectors in the field.

Note: ProvibTech's probes and extension cables come standard with connector protectors.



Specifications

Physical:

Carrying case size:	400mm x 200mm x 250mm
Weight:	About 2.0kg
Connector protector:	10 sets
Silicone lubricant:	1 tube
Connector protector mounting tools:	1 set of male and 1 set of female
Probe and cable connector:	Connector protector works with any 5mm, 8mm, 11mm, and 25mm probe and cable connector

Environmental

Operation temperature: -50°C to +177°C

Order Information

TM0920-K

Connector protector kit

Accessories

TM0920-BOOT

10 sets of connector protectors (rubber boots)