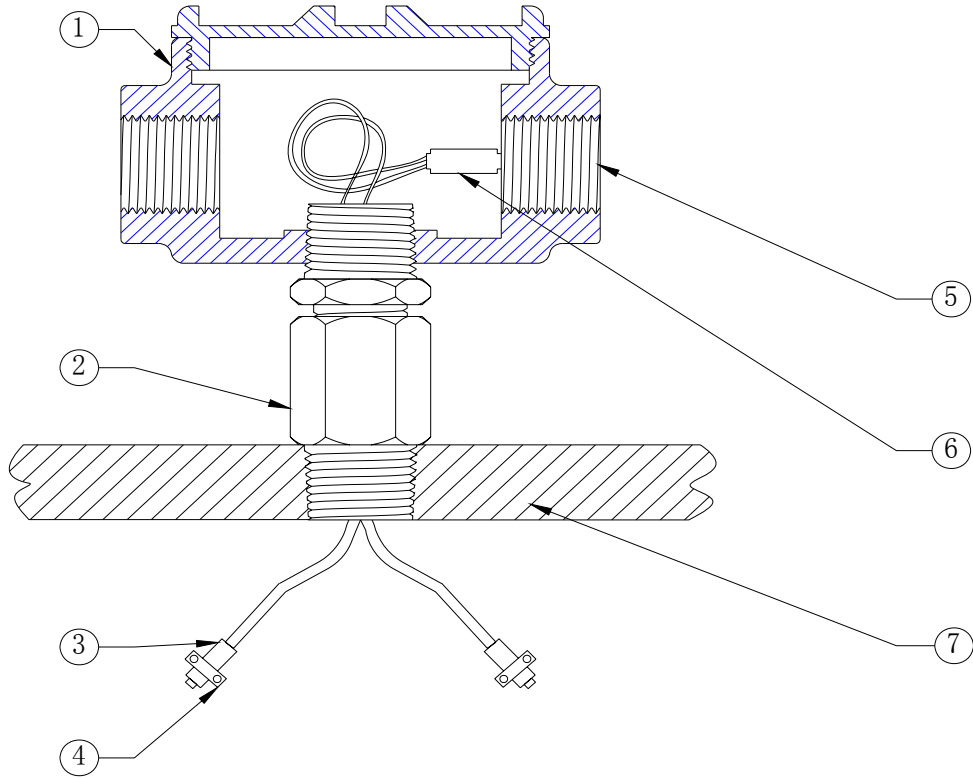




TM090X Probe Mounting Accessories Kit



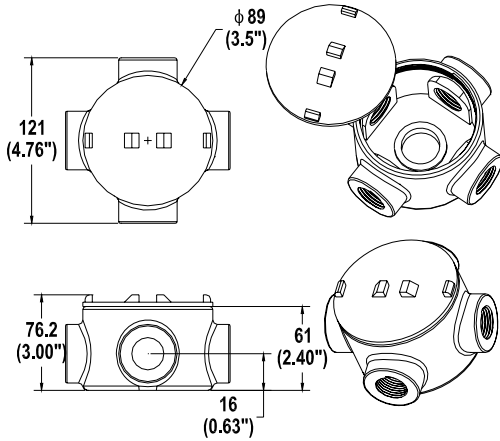
- 1. TM0903: Junction Box
- 2. TM0902: Low-Pressure Cable Seal
- 3. Probe
- 4. TM0906: Probe Bracket
- 5. TM0904 Flexible Conduit/ PT500-19 Cable Seal/ PT500-18 Seal
- 6. TM0920-BOOT: Connector Protector
- 7. Machine Case



High-Pressure Probe Mount TM0393X

Order Information

TM0903-A01-BX-CX



Junction box 1 with blank cover

Fitting Size: 3/4-14 NPT, 5 holes
 Class I, Div.1 & 2, Groups C & D
 Class II, Div.1 & 2, Groups E, F & G
 Class III

BX: PT500-18. 3/4"NPT Plug

X = Number of plugs

CX: PT500-19. Cable Seal

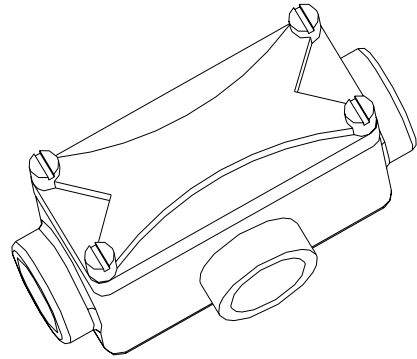
X = Number of cable seals

PT500-18

3/4" NPT Plug



TM0903-A02-BX-CX



Junction box 2

Class I, Div.1 & 2, Groups C & D
 Class II, Div.1 & 2, Groups E, F & G
 Class III

Conduit size: 3/4-14 NPT, 3 holes

Depth: 28 mm (1.1")

Width: 38 mm (1.5")

Length: 95 mm (3.75")

BX: PT500-18. 3/4"NPT Plug

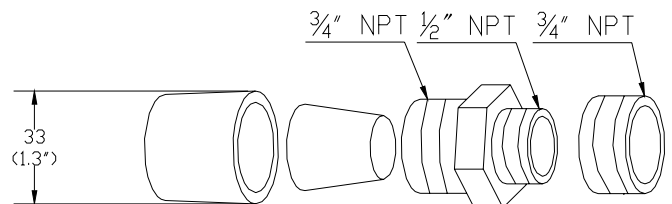
X = Number of plugs

CX: PT500-19. Cable Seal

X = Number of cable seals

PT500-19

Cable Seal





High-Pressure Probe Mount TM0393X

Order Information Continued

TM0904-AXX-BXX

Flexible Conduit
Class I, Div.1 & 2, Groups A, B, C & D
Class II, Div.1 & 2, Groups E, F & G
Class III



AXX: Fitting size

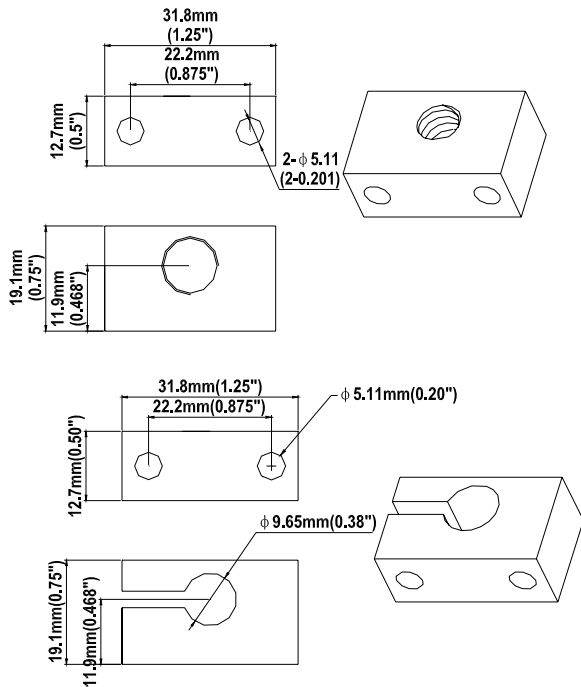
- A01: 1/2"-14 NPT assembly
- A02: 3/4"-14 NPT assembly

BXX: Length

- BXX: XX inch
(XX = 4, 6, 8, 10, 12, 15, 18, 21, 24, 30, 36)

TM0906-AXX-BXX

Aluminum probe mounting bracket



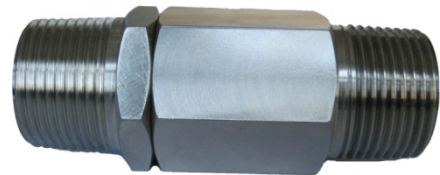
TM0906-AXX

AXX: Probe thread size

- A01: 3/8-24 UNF
(with two 10-24 UNC mounting screws)
- A02: 1/4-28" UNF
(with two 10-24 UNC mounting screws)
- A03: M8×1
(with two M5 mounting screws)
- A04: M10×1
(with two M5 mounting screws)
- A05: Clamp for M10 or 3/8-24
(with two M5 mounting screws)
- A06: Clamp for M10 or 1/4-28
(with two 10-24 UNC mounting screws)

TM0902-AXX

Low-pressure Cable Seal



AXX: Thread size on both ends

- A01: 1/2"-14 NPT
- A02: 3/4"-14 NPT

The same thread size must be used on both ends. The grommet will hold up to four cables. One hole is punched and the other three are partially pre-drilled.

