



Side-Exit Accelerometer TM0786A

The TM0786A accelerometer is a side-exit connector and multi-purpose accelerometer.

Specifications

Electrical

Sensitivity:	100mV/g, @ 25°C, ±10%
Frequency Response:	1 - 10,000Hz (±3dB)
Dynamic Range:	50g
Isolation:	Fully isolated
Electrical Noise:	0.0007g
Power Requirement:	3 - 10mA constant current
	18 - 30VDC
Bias Voltage:	10 - 14VDC
Resonance Frequency:	15 kHz
Maximum Transmission Distance:	300 meters (1,000 feet)



Environmental and Physical

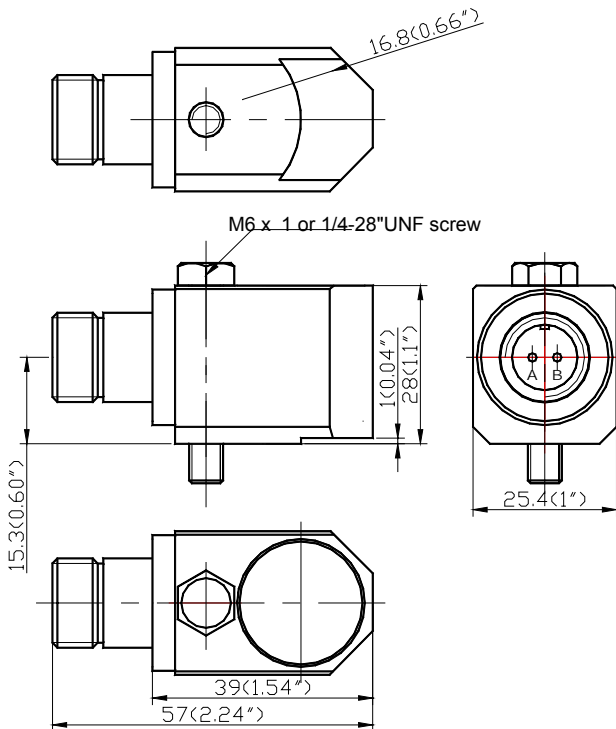
Temperature Range:	-50°C to +120°C
Environmental Protection:	IP67
Weight:	200 grams
Case Material:	304 Stainless steel
Sealing:	Hermetically welded
Mounting:	1/4-28UNF or M6×1 screw
Installation Torque:	29N x M
Connector:	MIL-C connector

Hazardous Area Approvals:

- ATEX: II 1 G Ex ia IIC T4
- CSA: I.S. Class I, Div. 1, Group A,B,C,D and T4, Ex ia IIC T4
- Class I, Div.2, Groups A, B, C, D
- Non- Incendive

PCEC: Ex ia IIC T4

TR CU: 0Ex ia IIC T4 X
№ TC RU C-US.ГБ05.B.00477
NANIO CCVE



Order Information

TM0786A-M

Side-exit accelerometer with metric mounting screw

- ✓ TM0786A accelerometer
- ✓ Mounting screw M6×1

TM0786A-E

Side-exit accelerometer with English mounting screw

- ✓ TM0786A accelerometer
- ✓ Mounting screw 1/4-28"



TM0786A-M-S

Side-exit accelerometer with metric mounting screw

- ✓ TM0786A accelerometer
- ✓ Mounting screw M6×1
- ✓ Hazardous area approval

TM0786A-E-S

Side-exit accelerometer with English mounting screw

- ✓ TM0786A accelerometer
- ✓ Mounting screw 1/4-28"
- ✓ Hazardous area approval

Accessories:

TM0714: Mounting screw M6×1

TM0715: Mounting screw 1/4-28"

(Standard cable length is 5 meters. XX = 05)



TM0702-XX: Aluminum MIL connector with XX meters cable, 6.35mm diameter. Operating temperature range goes up to 120°C (250°F)



TM0703-XX: Seal tight boot connector with XX meters cable, 6.35mm diameter. Operating temperature range goes up to 120°C (250°F)



TM0704-XX: Stainless steel MIL connector with Armored XX meters cable, 4.83mm diameter. Operating temperature range goes up to 150°C (300°F), Maximum Length is 10 meters.

TM0704-XX-F: Stainless steel MIL connector with Armor with FEP jacket XX meters cable.



TM0705-XX: Cornered MIL connector with armored XX meters cable, 4.83mm diameter.

Operating temperature range goes up to 120°C (250°F), Maximum Length is 10 meters.

TM0705-XX-F: Cornered MIL connector with Armor with FEP jacket XX meters cable.