



### Accelerometer TM0782A

#### General Purpose, Industrial Piezoelectric Accelerometers

The TM0782A-K accelerometer kit consists of one accelerometer and one 5 meter cable. This accelerometer kit directly interfaces with ProvibTech's signal conditioners: DTM, TR transmitters, DM Dual Monitors and PT580 vibration switches to measure case vibration in acceleration or velocity.



#### Specifications

##### Electrical

<b>Sensitivity:</b>	100mV/g, @ 25°C, ±10%
<b>Frequency Response:</b>	0.5 - 10,000Hz (±3dB)
<b>Acceleration Range:</b>	50g
<b>Isolation:</b>	Fully isolated
<b>Electrical Noise:</b>	0.0007g
<b>Power Requirement:</b>	2 - 10mA constant current 18 - 30VDC
<b>Bias Voltage:</b>	10 - 14VDC



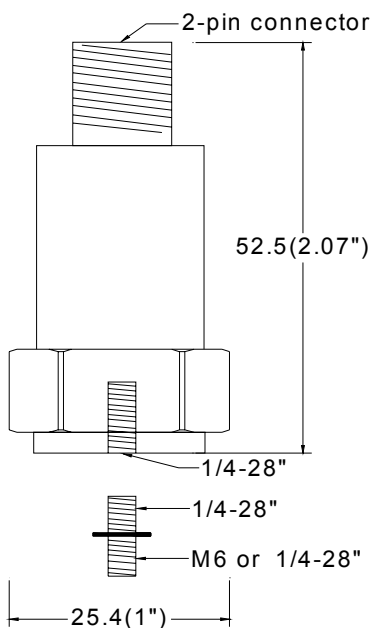
<b>Resonance Frequency:</b>	30 kHz
<b>Maximum Transmission Distance:</b>	300 meters (1,000 feet)

##### Environmental and Physical

Temperature Range:	-50°C to +120°C
Environmental Protection:	IP67
Weight:	90 grams
Case Material:	Stainless Steel
Mounting:	1/4-28UNF tapped hole
Installation Torque:	29N x M

##### Hazardous Area Approval:

- ATEX: II 1 G Ex ia IIC T4
- CSA: Class I, Div. 1, Groups A, B, C and D  
I.S. Class I, Div. 1, Group A,B,C,D and T4,  
Ex ia IIC T4
- CSA: Class I, Div.2, Groups A, B, C, D  
Non- Incendive
- PCEC: Ex ia IIC T4
- TR CU: 0Ex ia IIC T4 X  
№ TC RU C-US.ГБ05.В.00477  
NANIO CCVE



##### Connection

- A: Power (red)
- B: COM (white)
- Shield



## Order Information

### TM0782A-M

Accelerometer with mounting screw 1/4-28" to M6x1

### TM0782A-E

Accelerometer with mounting screw 1/4-28" to 1/4-28"

### TM0782A-K-M

Accelerometer kit includes:

- ✓ TM0782A accelerometer
- ✓ Mounting screw (1/4-28" to M6x1)
- ✓ TM0702-05

### TM0782A-K-E

Accelerometer kit includes:

- ✓ TM0782A accelerometer
- ✓ Mounting screw (1/4-28" to 1/4-28")
- ✓ TM0702-05

## Accessories:

(Standard cable length is 5 meters. XX = 05)



**TM0702-XX:** Aluminum MIL connector with XX meters cable, 6.35mm diameter. Operating temperature range goes up to 120°C (250°F)



**TM0703-XX:** Seal tight boot connector with XX meters cable, 6.35mm diameter. Operating temperature range goes up to 120°C (250°F)



**TM0704-XX:** Stainless steel MIL connector with armored XX meters cable, 4.83mm diameter. Operating temperature range goes up to 150°C (300°F), Maximum Length is 10 meters.

**TM0704-XX-F:** Stainless steel MIL connector with armor with FEP jacket XX meters cable.



**TM0705-XX:** Cornered MIL connector with armored XX meters cable, 4.83mm diameter. Operating temperature range goes up to 120°C (250°F), Maximum Length is 10 meters

**TM0705-XX-F:** Cornered MIL connector with Armor with FEP jacket XX meters cable.

**TM0710:** Mounting screw 1/4-28" - M6x1

**TM0711:** Mounting screw 1/4-28" - 1/4-28"

**TM0712:** Mounting screw 1/4-28" - M8

**TM0713:** Mounting screw 1/4-28" - M10