



Probe Mount TM0393X

The high-pressure probe mount, TM0393X, works with Pro vibtech's TM0180 and TM0110 reverse mount probes. The housing mounts on the machine surface for easy installation. The housing is made of aluminum (copper free) and stainless steel which sustain harsh environments. The high-pressure probe mount, TM0393X, can be used for up to 2175psi (15Mpa)

Order Information

TM0393X-AAA-BBB-C-D

AAA: Probe penetration depth

The depth starts from 25 mm (1.0 in)

AAA+BBB < 700 mm (27.6 in)

Order in increments of 5mm

For example: AAA=075 = 75mm

BBB: Stand off adaptor

BBB=000: No stand off adaptor required

Starting from 40mm (1.57 in) to 200mm (7.87in)

Order in increments of 10mm (0.39in)

For example: BBB=015=150mm

C: Probe thread

C=0: M10x1

C=1: 3/8-24"

D: Pressure Option

D=0: Not required

D=1: High-pressure probe mount

*One 3/4" NPT Stainless plug is included as default

*Flexible installation as penetration length is adjustable +/- 13mm (0.5 in)

Accessories

PT500-19

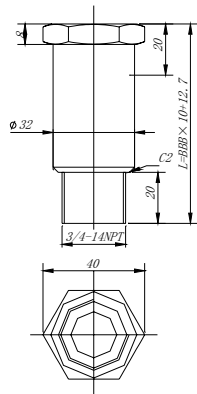
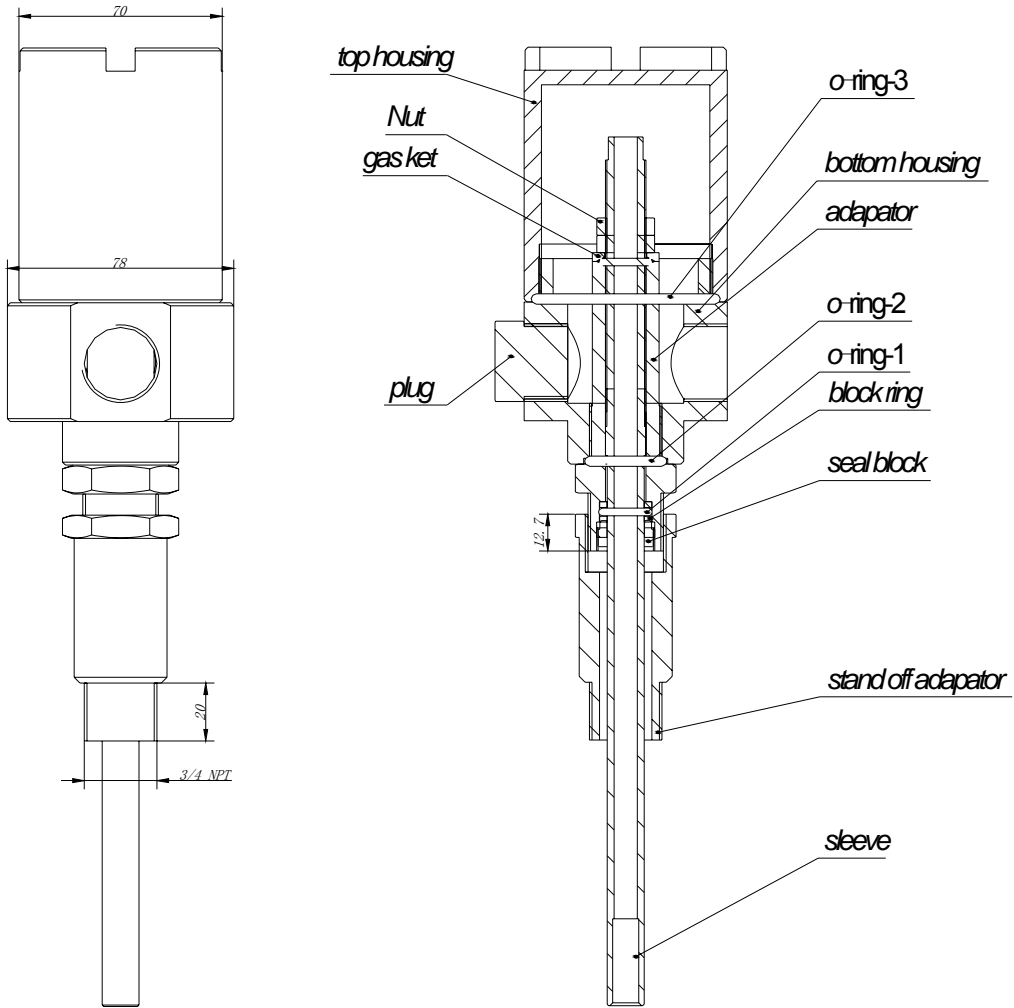
Cable seal grip



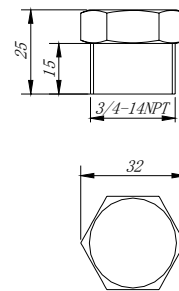


High-Pressure Probe Mount TM0393X

Mechanical Outline Drawings



Stand off adaptor



plug



High-Pressure Probe Mount TM0393X

Note:
For high pressure option (D=1)
Do mount with crude material
cingulum or glue.

